

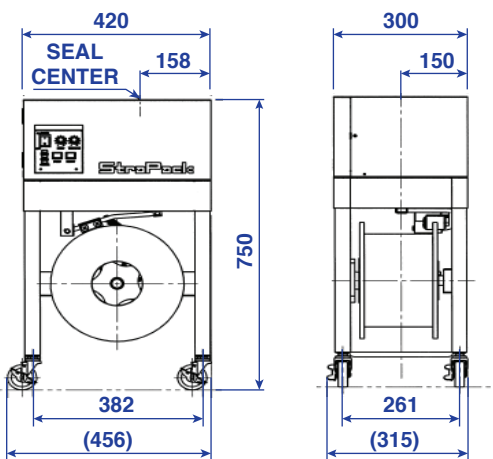
Semi-Automatic Strapping Machine

Introducing the new iQ-400DT BANK, StraPack's new semi-automatic strapping machine with dual tension mode. This allows for a wide variety of applications with just a flick of a switch.



iQ-400DT BANK

- The iQ-400DT BANK is a durable and heavy-duty strapping machine designed to withstand various harsh environments.
- The iQ-400DT BANK is yet amazingly quiet to operate and well suited for office use also.
- The iQ-400DT BANK has less moving parts, which makes it easy to maintain and keeps the operation cost low.
- All electric parts are arranged in one side of the machine, enclosed in the cabinet, for easy maintenance and protection of crucial parts.
- The iQ-400DT BANK runs strap from 5 millimeters to 15.5 millimeters (5/8 inches) without additional parts.
- The torque tension mode is suitable for stronger tension or to strap compressible packages, while the stroke tension mode is best for soft tension or quick operation.
- Tool-free access to frequently accessed areas for easy maintenance.



Dimension	Width	420 mm
	Height	950 mm (with work guide)
	Depth	300 mm
	Weight	Approx 38 kg.
Table Height		750 mm
Min. Package Size		W 80 x H 30 mm
Joint / Strap / Coil		heat seal / polypropylene ID 110 x W 150 mm
Strap Width / Thickness		5, 6, 9, 12(15.5) mm / 0.45-0.7 mm
*Strap Tension		*Max. 300N (30 kgf) or 150 mm stroke
Power Supply		200-240 V 1 Phase 50 / 60 Hz 0.47 kW

Dimensions and specifications are subject to change without notice.
Modification rights reserved.

DISTRIBUTED BY:



บริษัท นานดีอินเตอร์เทรด จำกัด
NANDEE INTER-TRADE CO., LTD.

314,316,318,320,322 ซอยจันทน์ 32 ถนนจันทน์ แขวงทุ่งวัดดอน เขตสาทร กทม. 10120

☎ : 0-2675-8239
 LINE : @nandeeintertrade
 f : nandeeintertrade
 🌐 : www.nandee.co.th
 ✉ : marketing@nandee.co.th
 sales@nandee.co.th